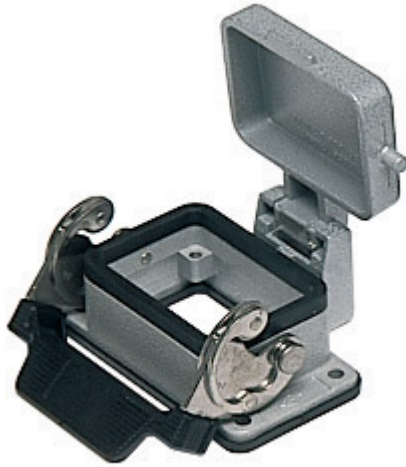


Part number

CHI 06 LS



Brief description:

bulkhead mounting housings with single lever, size "44.27", metal cover, metal version, IP65

Product description

Version	metal version
Series	bulkhead mounting housings with single lever
Product type	with 1 lever
Variant	metal cover
Family	CLASS enclosures
Size	size "44.27"

Technical data

Material	metal
IP degree of protection	IP65

Further technical details

Weight	163,00 g
---------------	----------

Approvals / Standards

Quality mark	UL (type:4/4X/12), CE, EAC
Conformity	CQC, CE

General ordering information

EAN13 code	8015747017312
Tariff number	85369095

Packaging Information

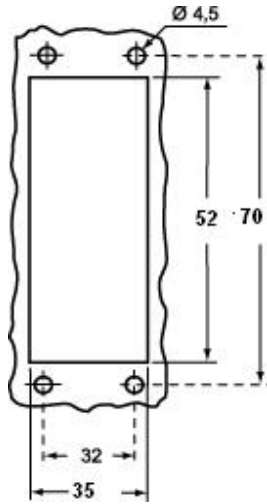
Packaging length	200,00 mm
Packaging height	120,00 mm
Packaging width	360,00 mm
Packaging weight	3,43 kg
Packaging volume	8,64 dm ³
Packaging description	Carton box
Packaging quantity	20 Pcs
Packaging EAN code	8015747017329
Sub-packaging weight	0,86 kg
Sub-packaging description	Plastic packaging
Sub-packaging quantity	5 Pcs
Sub-packaging EAN barcode	8015747017336

Part number

CHI 06 LS

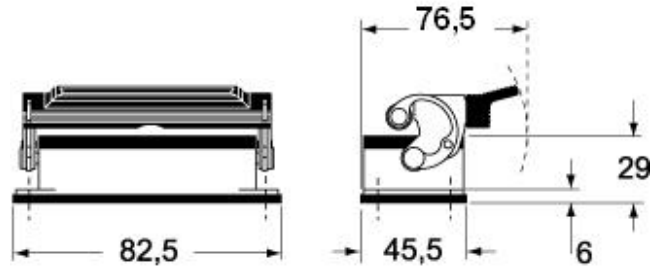


Catalogue drawings

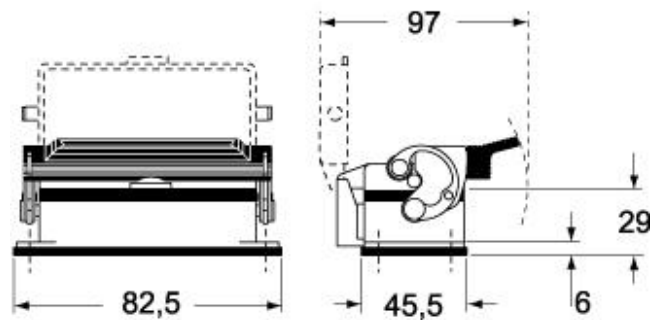


Catalogue drawings

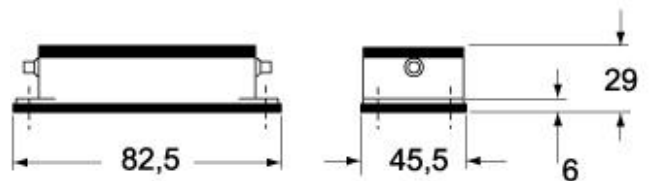
CHI L



CHI LS



CHI LC



CHI LCS/LCP

